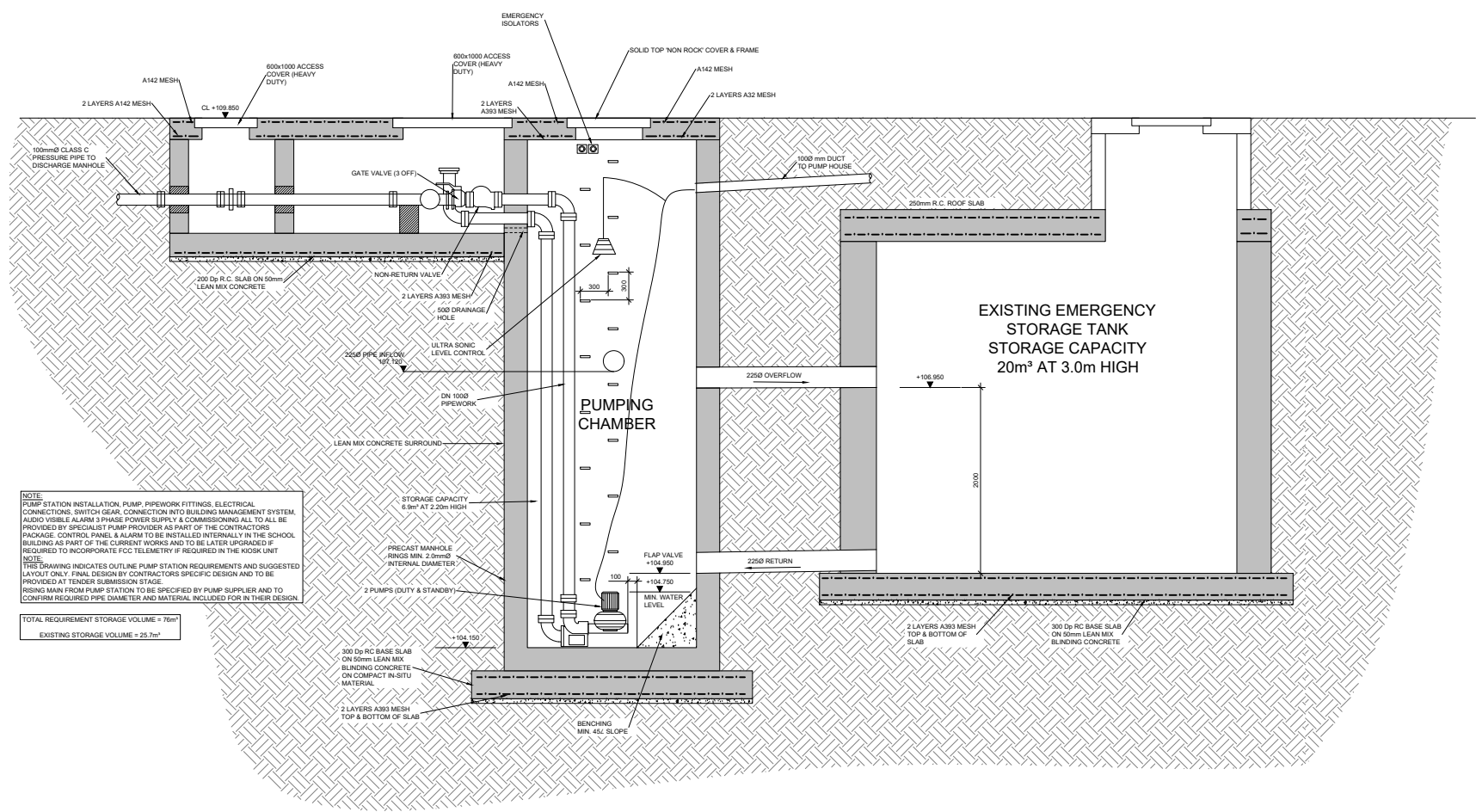


NOTES

1. THIS DRAWING IS TO BE READ IN CONJUNCTION WITH ALL ENGINEERS & ARCHITECTS DRAWINGS. DIMENSIONS ONLY (NOT SCALING) TO BE USED WHERE A CONFLICT OF INFORMATION EXISTS OR IF IN ANY DOUBT - ASB.
2. CONSULTANTS TO BE INFORMED IMMEDIATELY OF ANY DISCREPANCIES BEFORE WORK PROCEEDS.

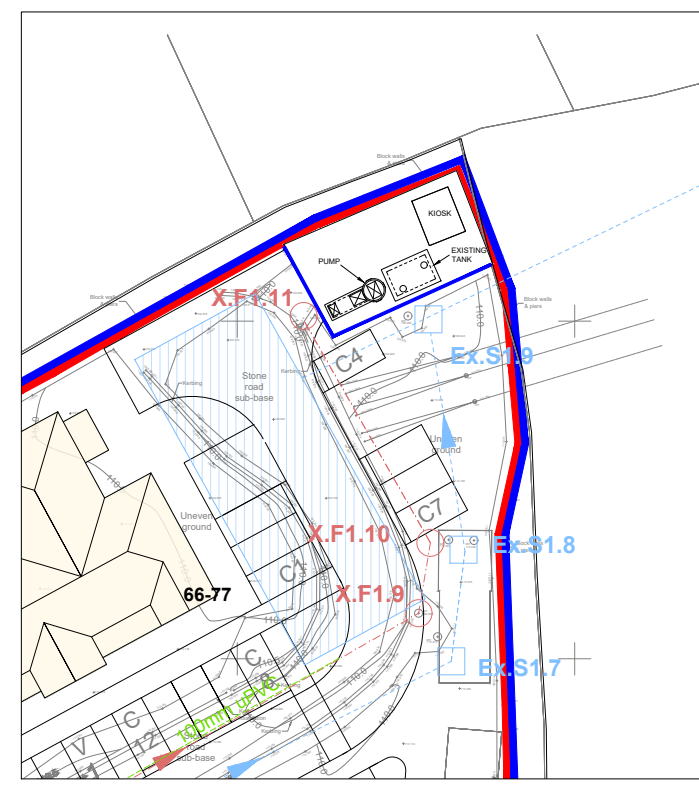


NOTE:
PUMP STATION INSTALLATION: PUMP, PIPEWORK FITTINGS, ELECTRICAL CONNECTIONS, SWITCH GEAR, CONNECTION INTO BUILDING MANAGEMENT SYSTEM, AUDIO VISIBLE ALARM 3 PHASE POWER SUPPLY & COMMISSIONING ALL TO ALL BE PROVIDED BY SPECIALIST PUMP PROVIDER AS PART OF THE CONTRACTORS PACKAGE. CONTROL PANEL & ALARM TO BE INSTALLED INTERNALLY IN THE SCHOOL BUILDING AS PART OF THE CURRENT WORKS AND TO BE LATER UPGRADED IF REQUIRED TO INCORPORATE FCC TELEMETRY IF REQUIRED IN THE KIOSK UNIT.

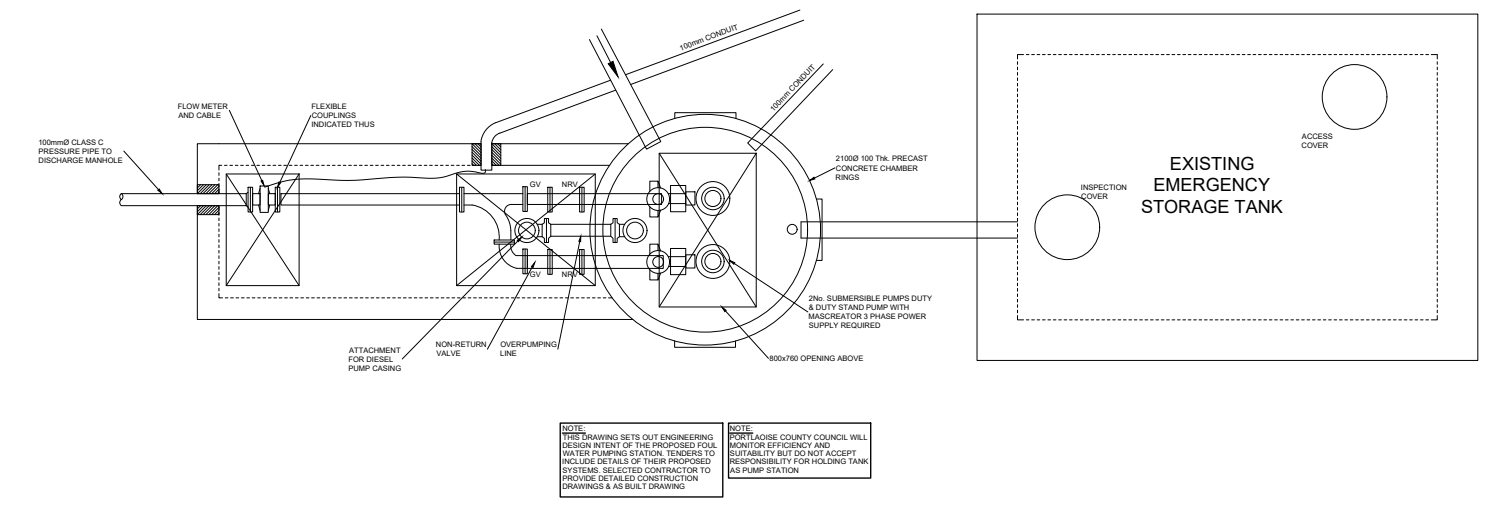
NOTE:
THIS DRAWING INDICATES OUTLINE PUMP STATION REQUIREMENTS AND SUGGESTED LAYOUT ONLY. FINAL DESIGN BY CONTRACTORS SPECIFIC DESIGN AND TO BE PROVIDED AT TENDER SUBMISSION STAGE. RISING MAIN FROM PUMP STATION TO BE SPECIFIED BY PUMP SUPPLIER AND TO CONFIRM REQUIRED PIPE DIAMETER AND MATERIAL INCLUDED FOR IN THEIR DESIGN.

TOTAL REQUIREMENT STORAGE VOLUME = 26m³
EXISTING STORAGE VOLUME = 25.7m³

SECTION THROUGH PUMPING STATION
SCALE @ A1: 1:25
SCALE @ A2: 1:50



EXISTING PUMPING STATION PLAN
SCALE @ A1: 1:200
SCALE @ A2: 1:400



NOTE:
THIS DRAWING SETS OUT ENGINEERING DESIGN INTENT OF THE PROPOSED FLOOD WATER PUMPING STATION. TENDERS TO INCLUDE DETAILS OF THEIR PROPOSED SYSTEMS. SELECTED CONTRACTOR TO PROVIDE SET DETAILED CONSTRUCTION DRAWINGS & AS BUILT DRAWING.

NOTE:
PORTLAOISE COUNTY COUNCIL WILL MONITOR EFFICIENCY AND RELIABILITY BUT DO NOT ACCEPT RESPONSIBILITY FOR HOLDING TANK AS PUMP STATION.

PLAN OF PUMPING STATION
SCALE @ A1: 1:25
SCALE @ A2: 1:50

ISSUE	DATE	DESCRIPTION	BY	CHKD
PL3	17.06.20	ISSUED FOR PLANNING	BM	BM
PL2	02.06.20	ISSUED FOR PLANNING	BM	BM
P1	21.05.20	ISSUED FOR COMMENT	BM	BM

DRAWING STAGE	DATE	DESCRIPTION
PLANNING		

BM BODERG DEVELOPMENTS CONSULTING ENGINEERS, CAD, STRUCTURE, PROJECT MANAGEMENT, E-M, IRRIGATION & CIVIL 12 Mill Street, London SE1 2BY, United Kingdom Tel: 02045 381 3413 2122 Email: info@bmc.ie	Dublin Office: Sandwell House, 52-54 Lower Sandwell Street, Dublin 2, Ireland Tel: (01) 677 3200 Fax: (01) 677 3164
	London Office: 12 Mill Street, London SE1 2BY, United Kingdom Tel: 02045 381 3413 2122 Email: info@bmc.ie

CLIENT:	BODERG DEVELOPMENTS
PROJECT TITLE:	FOX BURROW, PORTLAOISE.
PROJECT NO.:	19.177
MODEL REFERENCE:	MODEL REV. STABILITY
DRAWING TITLE:	EXISTING PUMPING STATION DETAILS
DRAWING NO.:	FXP-BMD-00-XX-DR-C-1245
ISSUE:	PL3